

OWNER'S MANUAL



Warning

- ! Do not slide, climb, or play on pole.
- ! Keep organic material away from pole base. Grass, litter, etc. could cause corrosion and /or deterioration.
- ! Check pole system twice a year for signs of corrosion (rust, pitting, chipping). Remove rust and/or loose paint completely and repaint with exterior enamel paint. If rust has penetrated through the steel anywhere, replace pole immediately.
- ! Check unit before each use for loose hardware, excessive wear, and signs of corrosion and repair before using.
- ! During play, use extreme caution to keep players face away from the backboard, rim, and net.
- ! Wear a mouth guard when playing to avoid dental injuries.
- ! When adjusting height, keep hands and fingers away from moving parts.
- ! During play, do not wear jewelry (rings, watches, necklaces, etc.). Objects may entangle in net.



Pro Dunk® Diamond Basketball System

MODEL NUMBER
PD-D-G

WELCOME TO THE FAMILY OF PRO DUNK® OWNERS

Thank you for purchasing our basketball system. We try hard to ensure that our products are of high quality and free of manufacturing defects and of missing parts. However, if you have any problems with your basketball pole, such as a manufacturing defect or a missing part please contact us at the following:

Toll Free: 1.800.294.4667
Web: www.hoopsincorporated.com
FAX: (281) 357-4822

Hoops Incorporated
22047 Lutheran Church Rd.
Tomball, TX 77377

Please provide model number, serial number, and/or part number of the product and/or part when you call, write or email. These numbers can be found on the product, packaging, or in this owner's manual.

Read this manual all the way through before starting to put up your pole. Then read each step completely before beginning that step.

Bill of Materials

Ref.	Qty.	Description
A	1	Vertical Post
B	1	Main Extension Arm
C	2	Parallel Linkage
D	1	H-Frame Backboard Mount
E	2	Spring-Assist Cartridge
F	1	Crank Adjustment Cylinder
G	1	Rim Height Indicator
H	1	Rim Height Sticker
I	6	18mm Anchor J-Bolts
J	18	18mm Hex Nuts
K	2	42cm X 20mm Hex Bolts
L	2	20mm Hex Nuts
M	2	36cm X 16mm Hex Bolts
N	2	16mm Hex Nuts
O	2	42cm X 16mm Hex Bolts
P	2	16mm Hex Nuts
Q	1	19cm X 14mm Hex Bolt
R	1	14mm Hex Nut
S	1	14cm X 14mm Hex Bolt
T	1	14mm Hex Nut
U	4	Steel/Plastic Backboard/Rim Spacers
V	8	35mm X 8mm hex bolts (backboard frame)
W	8	8mm Hex Nuts, Washers, Lock Washers (Backboard Frame)

Installation Instructions

In order to have the safest fun and longest use of your Pro Dunk® system, please note and heed the following:

1. Prior to main post preparation and goal assembly, call utility services for location of underground utility lines before you dig.
2. NOTE: Immediately unpack all components and cross check against bill of materials. Report any shortages to Hoops customer service at 1.800.294.4667.
3. Vertical main post assembly is a two part process.

PART 1

- Day 1.** Complete Anchor System Installation Instructions. (Below)
- Day 2.** Allow concrete to cure.
- Day 3** Allow concrete to cure.
- Day 4.** Allow concrete to cure.

PART 2

- Day 5.** Complete Pro Dunk® assembly instructions.

4. For safety measures have at least 3 capable persons to assist you in assembly of your Pro Dunk® Goal.

ANCHOR SYSTEM INSTALLATION INSTRUCTIONS (Day 1)

WARNING

Before digging the hole for this pole, check for buried power, gas, water, and telecommunication lines! Failure to do so could result in serious or fatal injury! Contact your local utility company if unsure.

1. Choose the proper location to dig for the concrete footing. Use the distance chart in **figure A** to help you make your decision. When choosing the exact position to dig, make sure to maximize the amount of playing surface while minimizing possible driveway obstruction.

Rim Height	Distance from the face of the backboard to the front of the Vertical Post (A)
6'	73.5"
8'	70"
10'	60"

2. Dig hole 48" deep and 24" square. Be sure to bell out the bottom of the hole to give added stability to the footing.

NOTE: *If you live in an area where the frost line is below 48" it is advisable to dig to normal frost line. Do not cheat on the hole size, it is imperative that the hole be a minimum of 48" deep and 24" square!*

3. Assemble the anchor kit as shown in **figure B**. First thread an 18mm hex nut all the way on to each J-Bolt. Place the threaded end of each J-Bolt through the 4 holes located in the anchor template. Then thread a second 18mm nut on to each J-Bolt until tight against the template, making sure to keep the J-Bolt hooks pointing in toward the center of the template.
4. For this step you will need: Level; Broomstick; Tape Measure. The 48" x 24" anchor footing will require a little over a 1/2 yard of 3000 psi concrete (32-34 60# sacks of premix concrete). More will be needed if you dig a larger hole.

NOTE: *Make certain that you have enough concrete to finish the job. Allowing a portion to dry while you purchase more concrete will weaken the footing.*

5. Mix the concrete according to the instructions on the bag. Fill the hole full to ground level with as little time between batches as possible.

NOTE: *It is better to mix it slightly wet*

than too dry.

6. Insert the broomstick in 3 or 4 different places and vibrate up and down to settle the concrete. Submerge the (4) anchor footing rebar pieces into the center of the hole spaced evenly. Next set the anchor bolt assembly into the wet concrete, vibrate it as it goes in to make sure the concrete fills in around the J-Bolt hooks. Make sure the template is pressed firmly against the top of the wet concrete. Use the level to ensure that it is level in all directions. Additionally, the center line of the J-Bolts must be parallel with the edge of the playing surface. (See **figure C**)

STOP HERE!

Allow footing to cure for 3-7 days before proceeding.

PRO DUNK® ASSEMBLY INSTRUCTIONS

(Day 5)

7. Loosen the top 18mm nuts (J) ½ turn from the J-Bolts (I). These will be your level adjustment nuts. Leave black metal template in place.
8. Place the vertical post (A) down over the footing making sure not to damage the J-Bolt (I) threads. Using the final 6 18mm hex nuts (J), bolt down post (A) finger tight with two metal ears to the rear.
9. Level the vertical post (A) by adjusting the 18mm nuts (J) located underneath the base plate. Then tighten top nuts against the top side of the base plate.
10. Slide the main arm (B) over the top of the vertical post (A) and attach to the lower pivot tube with a 42cm X 20mm hex bolt (K) and a 20mm hex nut (L).
11. Next attach the hand crank adjustment cylinder (F) using a 42cm X 16mm hex bolts (O) and 14cm X 14mm hex bolt (S). Tighten each with a 16mm (P) and 14mm hex nut (T).
12. Line up the hole located in the rim height indicator (G) which is plastic with a hole in one end over the hole in one of the second set of welded tubes in the main arm (B). Attach both spring-assist cartridges (E) to the main extension arm (B) using a 42cm X 20mm hex bolt (K) and 20mm hex nut (L) to attach both cartridges (E), lower the open end of each spring-assist cartridge (E) down over the top of each welded tab as shown in **Figure A**. Use the 19cm X 14mm (Q) and 14mm hex nut (R) to attach them to the welded tabs. You may need to turn the spring assist cartridges (E) or rotate to line up holes. The rim height indicator (G) should hang freely along the outside of one of the cartridges. Next, remove and discard the blue plastic spreader tube from spring-assist cartridges (E).
13. Attach parallel linkages (C) to vertical post (A) with 36cm X 16mm hex bolt (M) and a 16mm hex nut (N).

NOTE: *It does not matter which end of the parallel link you attach to the vertical post.*

CAUTION: *Injury may occur if linkages are allowed to fall off main arm during assembly.*

14. Next, lay the H-Frame (D) down into backboard aligning the four top and bottom holes in the H-Frame (D) with the four holes in the top and bottom of the backboard. Check to make sure the rim hole pattern in the H-Frame (D) lines up with the rim hole pattern in the backboard, adjust as needed. When you are satisfied with alignment, attach backboard to H-Frame (D) at all points along the top and bottom of the board using the 35mm X 8mm hex bolts, flat washers, lock washers and hex nuts (V) as shown in **figure D**. Tighten all 8mm hardware (V).

15. Mount the H-Frame (D) and Backboard assembly lower pivot tube first to the main arm (B) using 1 42cm X 20mm hex bolt (K) and 1 20mm hex nut (L). Next, attach the upper H-Frame (D) pivot tube to the upper parallel linkages using 1 36cm X 16mm hex bolt (M) and 1 16mm hex nut (N).
16. Check face of backboard to see if it is level forward and back. If it is not level, correct it by adjusting the 18mm nuts (J) located underneath the vertical post (A) base plate.
17. Prior to installing the rim, locate four plastic and steel spacers (U). Insert them into four rim holes in backboard. This is very important to prevent backboard breakage.

CAUTION: *Do not proceed with rim installation without these spacers!*

18. Mount the rim to the H-Frame (D) and Backboard assembly using the hardware supplied in the rim box. Use a level to make sure rim is level side to side before tightening nuts.
19. After everything is square, make sure all nuts have been tightened.

NOTE: *Use a level to make sure rim is level side to side before tightening nuts*

NOTE: *Do not over tighten. If unit is excessively difficult to crank up and down the main pivot nuts are probably too tight.*

20. To apply the rim height sticker (H), first use a tape measure to crank rim up to exactly 10' from the playing surface. Use a pencil to make a mark on the spring-assist outer tube (E) where the bottom of the rim height indicator stops. Then, peel and apply sticker to outside of spring-assist cartridge (E) lining up the pencil mark with the 10' mark on the sticker. See **figure A** for a diagram of a completed height indicator assembly.

NOTE: *It is advisable to wait up to two weeks to allow the anchor footing to fully cure before aggressive play.*

Installation Figures

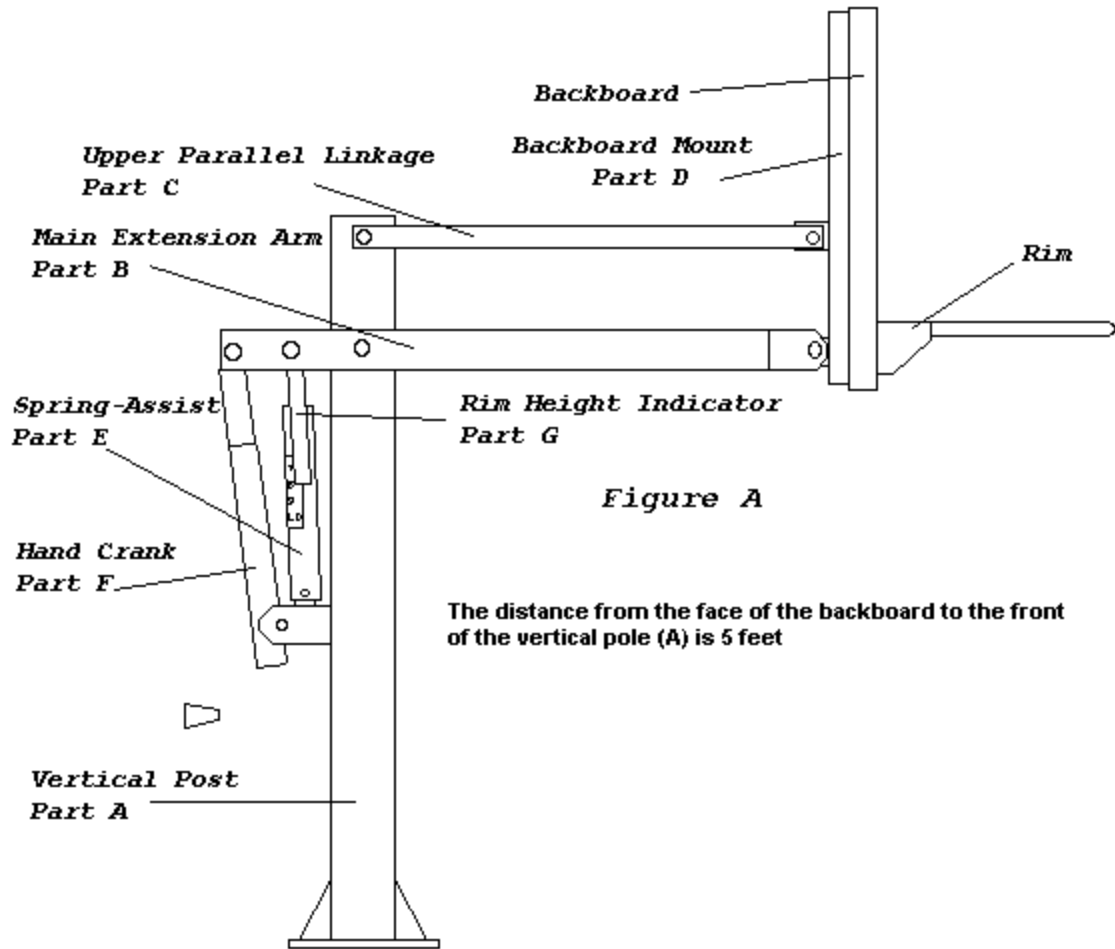


Figure B

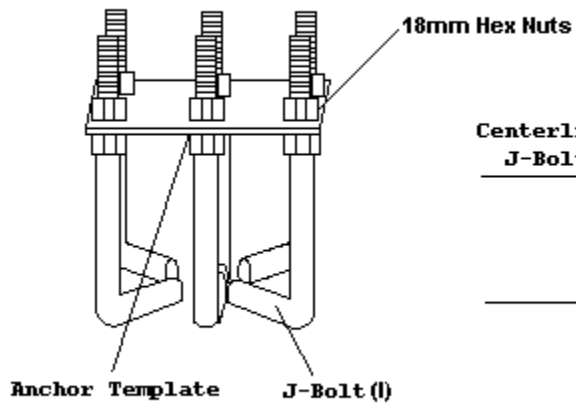


Figure C

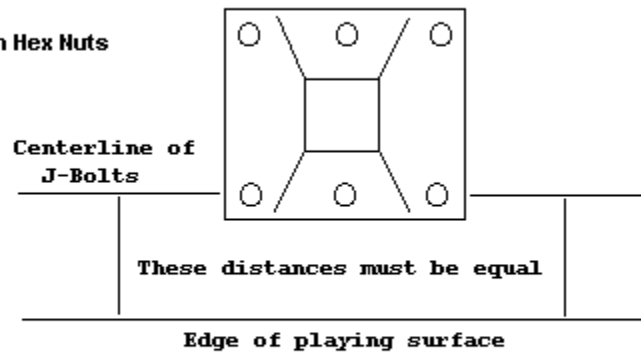


Figure D

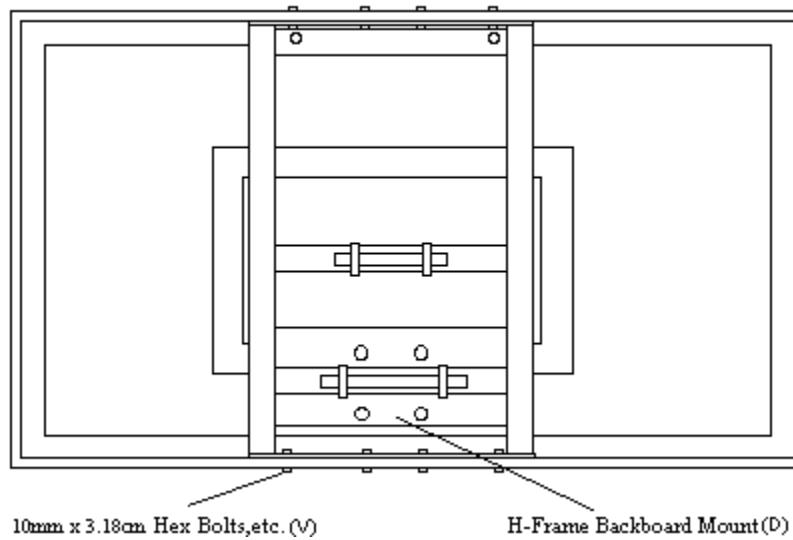
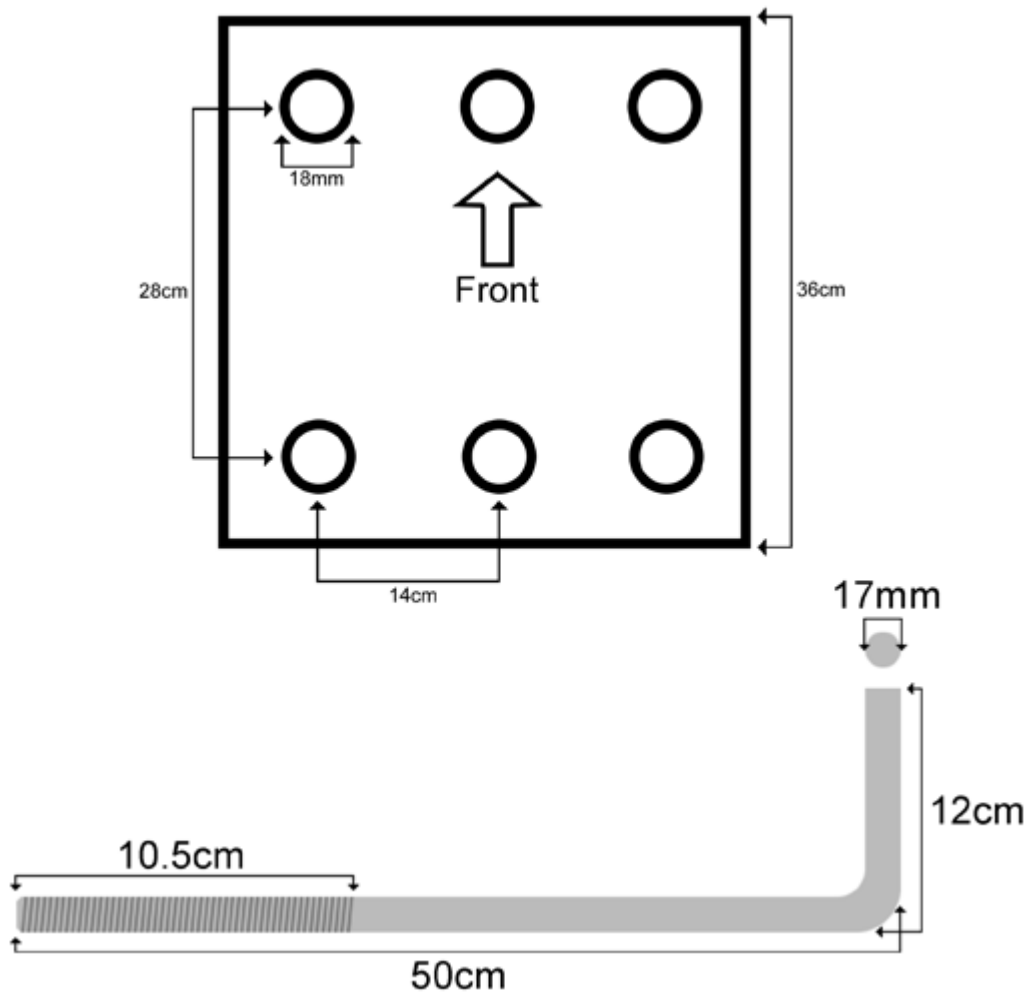


Figure E



Pro Dunk® Care Information

BACKBOARD

Items needed to clean backboard:

- 100% cotton soft cloth, (only)
- Mild dish washing liquid for soap
- Luke warm water

Cleaning Directions

Rinse backboard with lukewarm water. Wash gently with a 100% Cotton soft cloth, lukewarm water and mild soap. Do not scrub. Rinse backboard with lukewarm water again. Dry with 100% cotton soft cloth. To minimize scratches and minor abrasions to your backboard

Rim

- The goal should not be cranked under 5' 6" or over 10'. Adjustments of the goal should be done under adult supervision.
- When attempting slam dunk activity you should always wear a mouth guard to avoid dental injury.

Hoops Inc. Pro Dunk® Limited Lifetime Warranty

Hoops Pro Dunk® basketball structural components are warranted to the original purchaser to be free from defects in material or workmanship for the duration of ownership by the original retail purchaser. The word "defects" is defined as imperfections that impair the use of the product.

Warranty Fulfillment

Merchandise must be shipped prepaid with a copy of proof of purchase to Hoops Inc. for examination to see whether it needs to be repaired or replaced. Any labor costs, travel expenses and any other changes involved in the removal, installation or replacement of the defective/repaired parts from/to your Hoops Pro Dunk system will be your (the purchaser's) responsibility. Shipping charges for replaced or warranted merchandise being sent back to the customer must be prepaid by the customer in advance. If not, the replacement shipment will be sent out collect. Hoops Inc. reserves the right to examine photographs or physical evidence of merchandise claimed to be defective, and to recover said merchandise, prior to authorization of warranty claims.

What is not covered by this warranty

This warranty does not cover defects or damage due to improper installation, shipping, handling, alteration, accidents, vandalism, weather conditions (rusting), exposure to corrosives, negligence, misuse (anything other than a type of basketball activity or related contact with the unit), scratching, scuffing or any event beyond the control of the Hoops Inc..

Liability

Hoops Inc. shall not be liable for indirect, special, or consequential damages arising out of or in connection with the use or performance of the products or other damages with respect to any economical loss, loss of property, loss of enjoyment of use, costs of removal, installation or other consequential damages for breach of any expressed or implied warranty on these products.

Guidelines

Keep your proof of purchase (original retail purchaser). Without it, we will not be able to proceed with any warranty service.

- Call
1-800-294-4667 / Warranty Dept.
- Write
Hoops Inc.
Attn: Warranty Dept
22047 Lutheran Church Rd.
Tomball TX 77377
- Email
support@hoopsincorporated.com



Toll Free: 1.800.294.4667
Web: www.hoopsincorporated.com
FAX: (281) 357-4822

Hoops Incorporated
22047 Lutheran Church Rd.
Tomball, TX 77377